

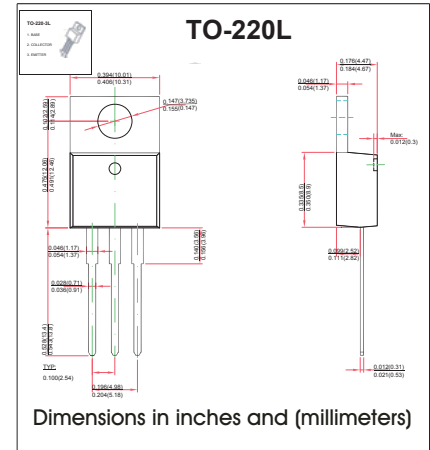
Three-terminal positive voltage regulator

FEATURES

- Maximum output current IOM: 1.5 A
- Output voltage VO: -5V
- Continuous total dissipation
PD: 1.5 W (T_a = 25 °C)

MECHANICAL DATA

- Case: TO-220 Small Outline Plastic Package
- Polarity: Color band denotes cathode end
- Mounting Position: Any



ABSOLUTE MAXIMUM RATINGS

(Operating temperature range applies unless otherwise specified)

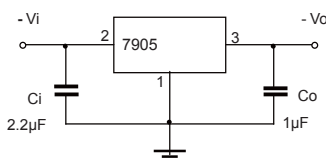
Parameter	Symbol	Value	Unit
Input Voltage	V _i	-35	V
Thermal Resistance from Junction to Air	R _{θJA}	83.3	°C/W
Operating Junction Temperature Range	T _{OPR}	0~+150	°C
Storage Temperature Range	T _{STG}	-65~+150	°C

ELECTRICAL CHARACTERISTICS AT SPECIFIED VIRTUAL JUNCTION TEMPERATURE (V_i = -10V, I_o = 500mA, C_i = 2.2μF, C_o = 1μF, unless otherwise specified)

Parameter	Symbol	Test conditions	Min	Typ	Max	Unit
Output Voltage	V _o	25°C	-4.8	-5	-5.2	V
		-7V ≤ V _i ≤ -20V, I _o = 5mA-1A 0-125°C	-4.75	-5	-5.25	V
Load Regulation	ΔV _o	I _o = 5mA-1.5A 25°C		15	100	mV
		I _o = 250mA-750mA 25°C		5	50	mV
Line Regulation	ΔV _o	-7V ≤ V _i ≤ -25V 25°C		12.5	50	mV
		-8V ≤ V _i ≤ -12V 25°C		4	15	mV
Quiescent Current	I _q	25°C		1.5	2	mA
Quiescent Current Change	ΔI _q	-7V ≤ V _i ≤ -25V 0-125°C			0.5	mA
		5mA ≤ I _o ≤ 1A 0-125°C			0.5	mA
Output Noise Voltage	V _N	10Hz ≤ f ≤ 100KHz 25°C		125		μV/V _o
Output Voltage Drift	ΔV _o / ΔT	I _o = 5mA 0-125°C		-0.4		mV/°C
Ripple Rejection	RR	-8V ≤ V _i ≤ -18V, f = 120Hz 0-125°C	54	60		dB
Dropout Voltage	V _d	I _o = 1A 25°C		1.1		V
Peak Current	I _{pk}	25°C		2.1		A

* Pulse test.

TYPICAL APPLICATION



RATINGS AND CHARACTERISTIC CURVES

Typical Characteristics

